



CE

CS

Centrifugal silenced duct fans to extract large air volumes and non dusty fumes.

- Suitable for application on machines where a forced ventilation or air suction is required;
- Max temperature of extracted air: 50°C;
- Low sound level and high performances;
- Steel plated frame protected by an epoxy-based anticorrosive paint and aluminium centrifugal impeller statically and dynamically balanced;
- Ball bearing class F insulation motor IP55 protected;
- Standard product supplied with impeller housing position CCW 270, different positions available on request, (see table on page 93);
- Motor speed can be regulated through industrial controllers (see accessories);
- In accordance with the essential requirements of 2006/42/EC Directive concerning machines and European Standards UNI EN ISO 13857; UNI EN ISO 12499; CEI EN 60204-1;
- Models CS 350, 360, 370 and 380: mounted on rigid base support to make installation easier.

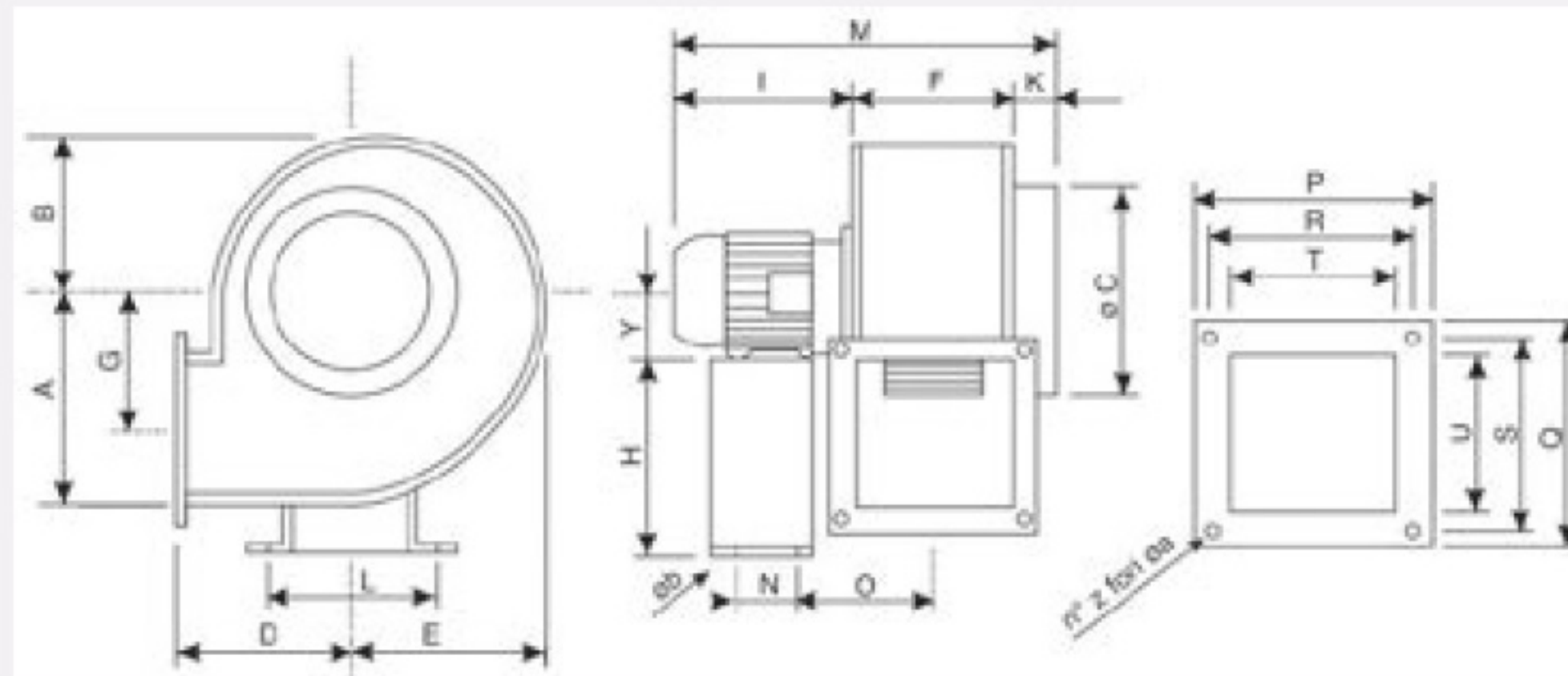
Accessories: See dedicated section

POSITION



DUCT/WALL MOUNTING

DIMENSIONS



Model	A	B	ØC	D	E	F	G	H	Y	K	I	L	M	N	O	P	Q	R	S	T	U	z	Øa	Øb
CS 310	139	108	180	127	122	94	91	-	63	42	190	-	326	-	-	135	135	114	114	88	90	4	8,2	-
CS 320	172	128	200	146	150	112	117	-	63	45	190	-	347	-	-	152	152	126	126	105	105	4	8,2	-
CS 330	209	163	250	147	188	141	139	-	71	40	210	-	391	-	-	191	191	165	165	134	134	4	8,2	-
CS 340	250	194	250	178	222	164	162	-	80	45	240	-	449	-	-	225	235	195	205	161	170	4	8,2	-
CS 350	290	225	315	210	260	194	192	245	80	50	240	232	484	120	149	255	255	225	225	191	194	4	8,2	11
CS 360	290	225	315	210	260	194	192	245	90	50	255	232	499	120	155	255	255	225	225	191	194	4	8,2	11
CS 370	334	244	355	230	250	221	2109	350	100	50	315	325	586	170	173	284	305	254	275	313	244	4	10,2	11
CS 380	429	315	400	300	370	249	280	350	112	62	330	325	641	170	194	310	360	280	330	241	295	8	9	11

TECHNICAL DATA

Model	Code	Motor protection	Motor	N° poles	Voltage at 50 Hz	Max flow rate m³/h	Max Press		Rated power W	Nom. curr. in A		dB(A) 2m	RPM	Kg
							mm H ₂ O	Pa		230 V	400 V			
CS 310 4M	0042000	IP55	Single-phase	4	230	500	16	155	110	0,72	-	64	1400	8,0
CS 320 4M	0042200	IP55	Single-phase	4	230	800	20	200	130	0,78	-	67	1400	9,0
CS 310 4T	0042100	IP55	Three-phase	4	230/400	500	16	155	110	0,7	0,4	64	1400	8,0
CS 320 4T	0042300	IP55	Three-phase	4	230/400	800	20	200	130	0,74	0,43	67	1400	9,0
CS 330 4T	0042400	IP55	Three-phase	4	230/400	1500	36	360	300	1,2	0,7	70	1400	11,0
CS 340 4T	0042500	IP55	Three-phase	4	230/400	2900	46	450	800	2,8	1,6	73	1400	21,0
CS 350 4T	0042600	IP55	Three-phase	4	230/400	4100	44	430	1300	4,0	2,3	76	1400	24,0
CS 360 4T	0042700	IP55	Three-phase	4	230/400	5200	64	630	1800	6,0	3,5	80	1400	27,0
CS 370 4T	0042800	IP55	Three-phase	4	230/400	6000	66	650	2600	8,7	5,0	84	1400	42,0
CS 380 4T	0042900	IP55	Three-phase	4	230/400	9500	97	950	4500	15,0	9,0	88	1430	63,0

