



CTD-315/B

Code: 1030691



Centrifugal roof mounted extract fans for household ventilation

Centrifugal roof mounted household chimney extract fans with low noise level for household ventilation pursuant to the CTE (Technical Building Code).



Fan:

- Support base in sheet steel.
- Backward curved impeller.
- Sheet steel rain deflector cap with anti-corrosive protection.
- Adjustable by voltage variation.
- Safety switch provided on request.

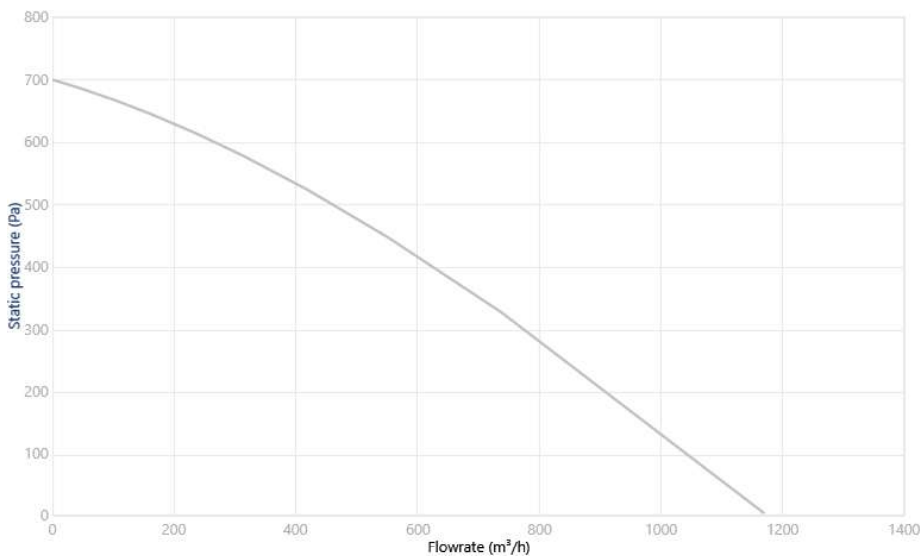
Motor:

- Class F motors. External rotor and IP44 protection.
- Single-phase 230 V 50 Hz.
- Maximum temperature of air to be carried: + 40 °C for CTD 125, 150 and 160, + 60 °C for CTD 200 and + 65 °C for CTD 250 and 315.

Finish:

- Anti-corrosive finish in polyester resin, polymerised at 190 °C, after degreasing with phosphate-free nanotechnology treatment.

CHARACTERISTIC CURVE AND ACOUSTICS AT 1.2KG/M³



Design Point

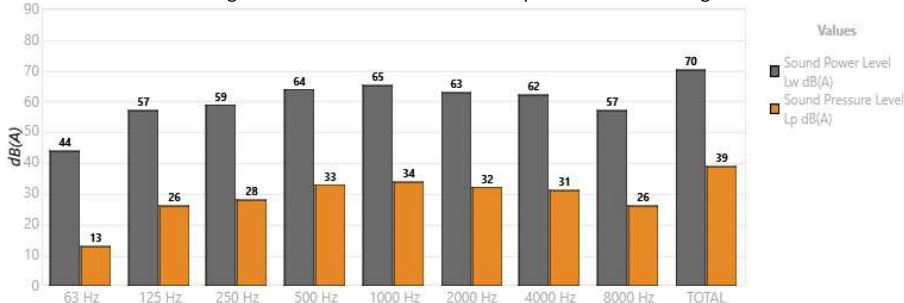
Q (m³/h)	
Ps (Pa)	

Service Point (SP)

Q (m³/h)	-
Ps (Pa)	-
Pd (Pa)	-
Pt (Pa)	-

Acoustics: Inlet, 10 (m), Free field

The values given are obtained under laboratory conditions according to ISO 3744.



Band	Lw dB(A)	Lp dB(A)
63 Hz	44	13
125 Hz	57	26
250 Hz	59	28
500 Hz	64	33
1000 Hz	65	34
2000 Hz	63	32
4000 Hz	62	31
8000 Hz	57	26
TOTAL	70	39

TECHNICAL CHARACTERISTICS

Airflow maximum (m³/h)	1170
Speed (rpm)	2440
Maximum static pressure (Pa)	698.2
Maximum total pressure (Pa)	698.2





ERP

Brand	SODECA, S.L.U.	Nominal external pressure (Pa)	392
Model	CTD-315/B	Static efficiency of fan according to EU 327/2011 (%)	45.0%
Typology	NRVU / UVU	Max. internal leakage rate (%)	2.2%
Drive type	Variable speed	Filter energy performance	Not applicable
HRS type	None	Visual filter warning	Not applicable
Nominal flow rate (m ³ /s)	0.177	Website	www.sodeca.com
Effective electric power input (kW)	0.214	ErP compliance	2018
SFPint (W/m ³ /s)	230.00		
Face velocity at design flow rate (m/s)	2.41		

MOTOR DATA

Max. Electrical Power (kW)	0.21	Poles	4P
Hz/phases	50/1	Max. current (A) 220-240 V	0.9
Motor (rpm)	2440		

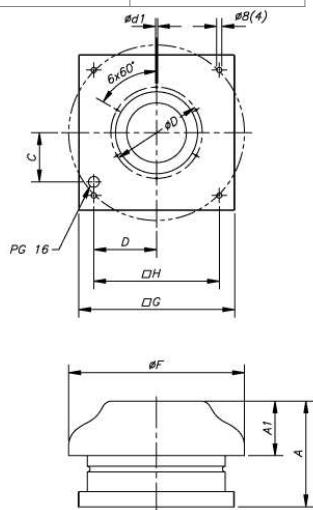
Data can change, please check motor plate

DIMENSIONS

ØF	A	A1	G	ØD	Ød1	C	D	H
450	245.6	109	405	230	7.1	138	168	330

Dimensions without explicitly defined units are shown in millimeters (mm). Dimensions depending on the motor are approximate

Approx. weight (kg)	8
---------------------	---



AVAILABLE ACCESSORIES

General accessories available



INT-KG-
20/3CA

Inlet accessories available

Inlet accessories not available

Outlet accessories available

Outlet accessories not available

It must be checked that the accessory is suitable for the fan model